

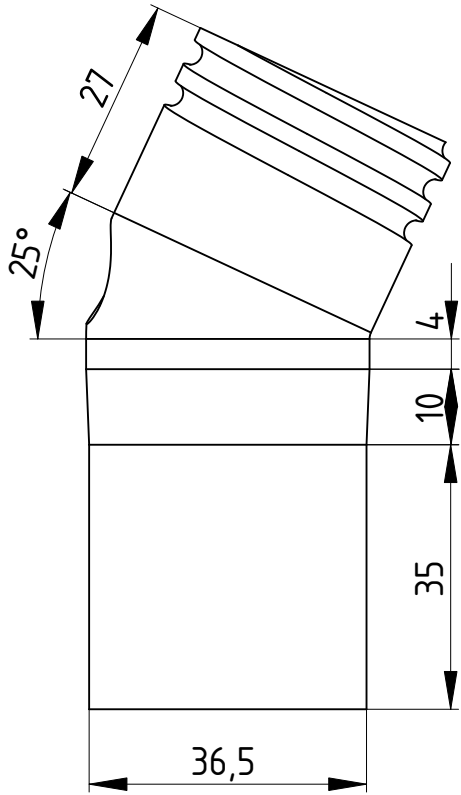
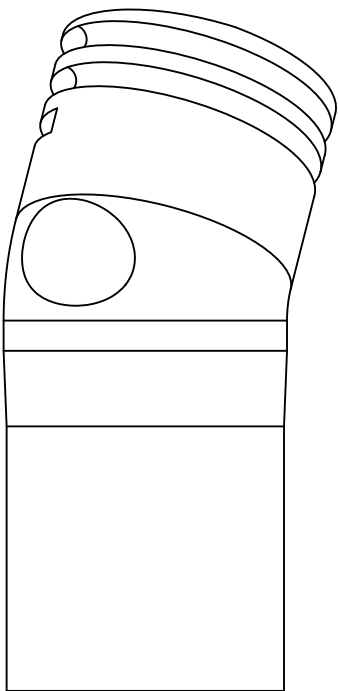
F E D C B A

4

3

2

1



4

3

2

1

DESIGNED BY: <b>Tobias Rohleder</b>		<b>Adapter TRA001</b>		G	—
DATE: <b>13.08.2021</b>		Durchmesser 36,5mm		F	—
SIZE <b>A4</b>				E	—
				D	—
SCALE <b>1:1</b>	WEIGHT (kg) <b>0,05</b>	DRAWING NUMBER <b>1.37</b>	SHEET <b>1</b>	C	—
This drawing is our property; it can't be reproduced or communicated without our written consent.				B	—
				A	—

alle Maße in Millimeter

F E D C B A