

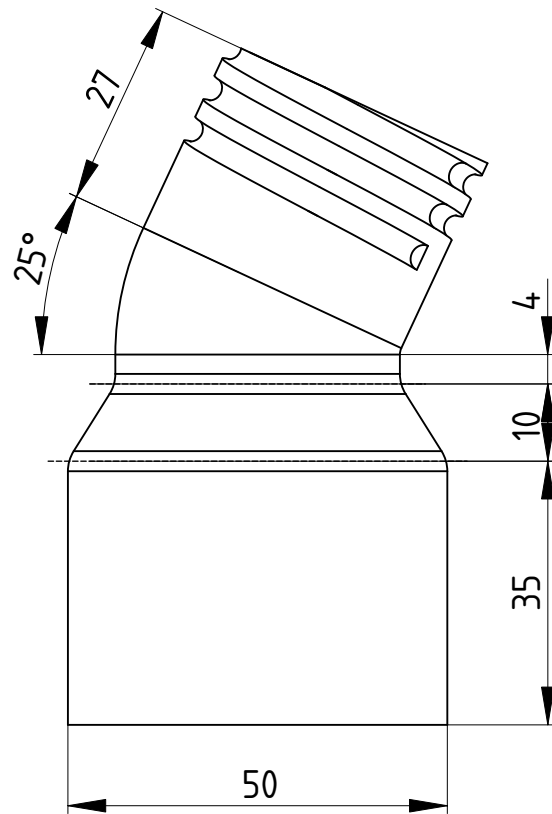
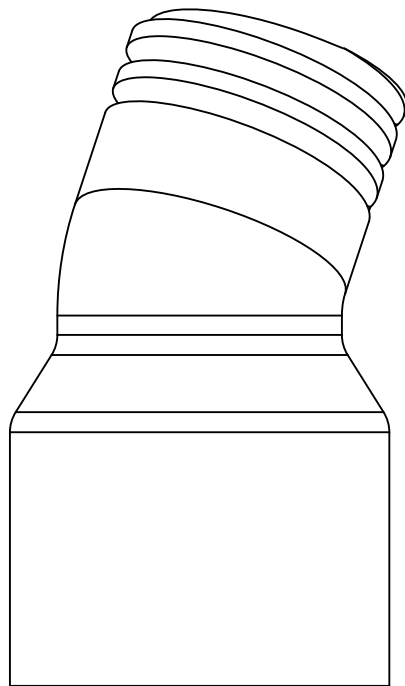
F E D C B A


4

3

2

1



DESIGNED BY: Tobias Rohleder		Adapter MOF001		G	—
DATE: 26.08.2021		Durchmesser 50mm		F	—
SIZE A4				E	—
SCALE 1:1	WEIGHT (kg) 0,05			DRAWING NUMBER 1.02	SHEET 1
This drawing is our property; it can't be reproduced or communicated without our written consent.				C	—
				B	—
				A	—

alle Maße in Millimeter

F E D

1