

F

E

D

C

B

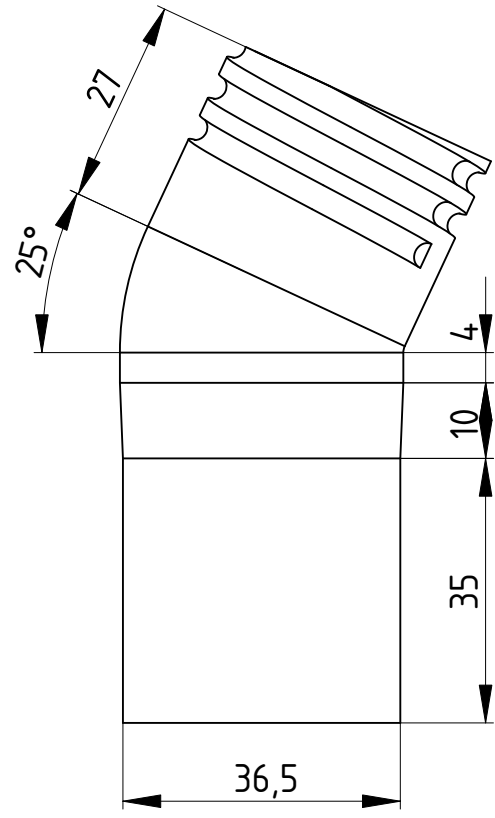
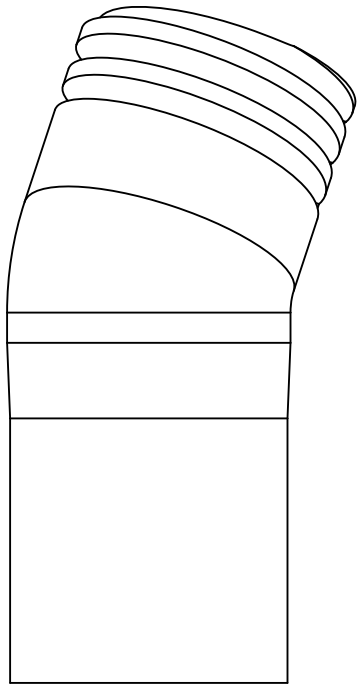
A

4

3

2

1



4

3

2

1

alle Maße in Millimeter

DESIGNED BY: Tobias Rohleder		Adapter JOF001		G	—
DATE: 13.08.2021		Durchmesser 36,5mm		F	—
SIZE A4				E	—
				D	—
SCALE 1:1	WEIGHT (kg) 0,05	DRAWING NUMBER 1.03	SHEET 1	C	—
This drawing is our property; it can't be reproduced or communicated without our written consent.				B	—
				A	—



F

E

D